



专业 / 信赖 / 品质
Speciality Trust Quality

Accessen

上海艾克森集团有限公司 / 上海艾克森新技术有限公司
Shanghai Accessen Group Co., Ltd. / Accessen.New-Tech.Shanghai.Co.,Ltd

营销总部: 上海金沙江路1628弄绿洲中环中心1号楼3层
邮编: 200333
电话: +86 21 6117 6666
传真: +86 21 6117 2600
网址: www.accessen.cn
信箱: info@accessen.cn

生产总部: 上海市嘉定区谢春路1458号
邮编: 201804
电话: +86 21 6959 5555 6958 5555
传真: +86 21 6959 0007

销售热线: 8008 191 191
服务热线: 4006 191 191

如有改进意见和数据错误请发 cfb@accessen.cn

Sales Headquarter: 3rd Floor, ND.1 Building, Lvzhou Zhonghuan Business Center, No. 1628, Jin Shajiang Rd, Shanghai, China.
Zip Code: 200333
Tel: +86 21 6117 6666
Fax: +86 21 6117 2600
Website: www.accessen.cn
E-mail: info@accessen.cn

Production Headquarters
Add: No.1458 Xiechun Rd,
201804, China Jiading District, Shanghai
Tel: +86 21 6959 5555 69
Fax: +86 21 6959 0007 58 5555
Sales Line: 8008 191 191
Service Line: 4006 191 191



201307 MD RV3

若设计与规格变更, 恕不另行通知
Designs and Specifications are subject to change without notice for further improvement.

Accessen 艾克森
ACCESSEN GROUP

Marine Diesel

AND NAVIGATION INDUSTRY



船舶动力海水淡化
Marine Desalination





公司简介 contact

上海艾克森集团有限公司是专业从事换热设备研发、制造、销售及服务的换热解决方案提供商，公司通过 ISO9001:2000 质量体系认证、ISO14001:2004 环境质量体系认证、OHSAS18001:1999 职业健康安全体系认证。

公司于 2002 年在上海成立，生产总部位于中国上海市黄渡工业园。拥有曹安路工厂 / 一期、谢春路工厂 / 二期和太合港区工厂 / 三期，3 个制造工厂共计 10 多万平米，年生产换热器 30000 台、换热机组 5000 套，是全球最大的换热设备生产基地之一。遵照全球统一的 AS 标准生产包括板式换热器、板式换热机组、板壳式换热器、全焊式换热器、蒸发器及冷凝器、工艺水冷却系统、余热回收系统在内的全系列换热设备，同时也提供符合 ASME、PED - CE、API、JIS、IEC、DNV、ABS、BV、CCS、GB 等国际规范和标准的产品。

公司主要负责向亚太地区的暖通空调、船舶、制冷、能源电力、冶金、化工、食品、电子及环境处理等市场提供按需应变的换热解决方案和客户服务。公司直属的销售和服务网络覆盖国内 27 个主要省市，拥有 400 多个服务网点，2 个技术培训和产品中心，产品提供全国或全球联保服务，能就近为客户提供快速、高效的服务。赢得了包括 SIEMENS、YANMAR、BAYER、BASF、DOW、BOSCH、3M、HITACHI、COCACOLA、UNILEVER、INTERCONTINENTAL、EMERSON、HYDNDAL、SINOPEC、LAFARGE、FOXCOS 等全球 500 强客户的信赖，选择艾克森——让你的工作变的更加轻松。

艾克森为你提供全球领先的按需应变换热解决方案，专业提供高品质的换热设备和快速、高效的服务。



Shanghai ACESSEN Group Co.,Ltd is specialized in designing, manufacturing, sale and service of heat exchanger. And it has obtained the quality certificates of ISO9001:2000, ISO14001:2004, OHSAS18001:1999.

Our company is established in 2002 and located in Shanghai Huangdu industrial park in China. Owned the period Caoan Road plant, the Xiechun Rd factory, and the Taicang plant, the total three plant area more than 100000 square meters, it has become one largest plate heat exchanger's manufacturers in the world. ACESSEN strictly according with AS standards to produce plate heat exchanger, plate heat exchanger unit, plate and shell heat exchanger, full welding heat exchanger, evaporator and condenser, process water cooling system, rest heat recovery system. Our corporation also offers many standard products which are as per international code, such as ASME, PED - CE, API, JIS, IEC, DNV, ABS, BV, CCS, GB, etc.



The company is mainly responsible for the Asia-Pacific region, offer heat transfer solution and customer services of different markets, such as HVAC, marine, refrigeration, energy, power, metallurgy, chemical, food, electronic and environmental treatment. Company's sales and service network covering with twenty-seven major cities, with more than four hundred service outlets, two technical training and product centers, offer national or international warranty service, with fast and efficient service, and won the trust of fortune 500 companies, such as SIEMENS, YANMAR, BAYER, BASF, DOW, BOSCH, GE, HITACHI, TATA, COCACOLA, UNILEVER, INTERCONTINENTAL, EMERSON, HYDNDAL, SINOPEC, LAFARGE, FOXCOM etc.

Selecting ACESSEN, let your work be more relaxed. Accessen provide you with the world's leading heat exchanger solution, high quality heat transfer equipment, and high efficient service.





先进的换热结构

Advanced structure design

更为可靠、快速的拆装系统——经过专业设计的不锈钢滚轮结合活动加紧挡板，使得换热器的现场拆装更为快速、方便，并能有效减少载荷对上导杆的磨损，滚轮本体也不易生锈，从而防止抱死情况发生。

More reliable and fast disassembled system—Roller assembly on movable end makes plate heat exchanger assembled and disassembled easily and prevent carrying bar from abrasion.

更为先进的免粘垫片设计——先进的卡式免粘垫片设计，能够更快的将垫片固定在板片上，在清洗过程中能够最大程度上减少对于垫片本身的损伤，保证垫片重复多次使用延长垫片的使用寿命，线密封结构的设计也使得换热器本身的密封性能得到长时间可靠的保证。

More advanced glue-free gasket design—Most advanced Glue-free gasket in the world is adopted by ACCESSEN, which makes maintenance of plate heat exchanger more convenient. Customers have no use to worry about the dropping of stickup gasket when plate heat exchanger is cleaned. The linear sealing structure could ensure the leak tightness and then increase the service life of plate heat exchanger.

更为高效的导流优化设计——从换热器入口到主要热传导区，采用了网状均衡导流区，消除了板片内的换热死区，使得流体更为均匀地被分布到整张板片上进行换热，从而提高了换热器的传热效果（取得更高的K value值）。

More efficient diversion optimization design—From plate inlet to heat exchanging transfer area, we have a Chocolate box area. This Chocolate box distribution system makes the fluid possible to distribute uniformly across the entire width of the plate, eliminating dead spots. This can ensure an excellent heat transferring performance.



更为精准的板片定位系统——起点无偏移板片定位系统，保证板换在每一次的拆装过程中都能做到简单、精准的板片定位，能够有效避免因定位不准所产生的板片扭曲、垫片易脱落的问题，从而有效地节约了换热器拆装维护的时间，并延长了板片和垫片的使用寿命。

More accurate positioning system—Plate positioning system without displacement makes plate heat exchanger fixed accurately during maintenance and ensures the plate non-bending. Users could do sealing in time and prevent gasket from dropping, hence improve the security of the equipment and increase the service life of plate heat exchanger.



框架板滚轮



板片定位



免粘式板片



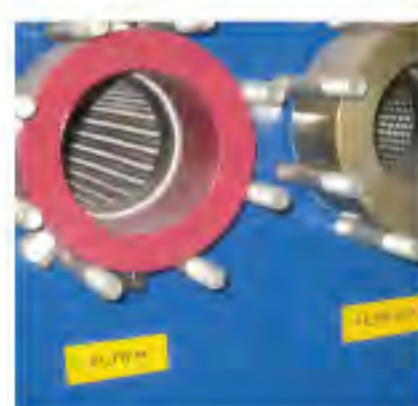
接口衬套



滚动轴承



整机固定



仪表表具



内置滤网

更为先进的板片波纹设计——独特的板片波纹设计，以及多达数百种的组合方式，能充分满足船用换热器的不同设计需要，在获得更高传热系数的同时，也使得换热器本体尺寸更为紧凑，能够为你节省更多的安装空间。

More advanced plate design—unique corrugation plate design and different positioning make plate heat exchanger meet different design requirement, which makes it fixed more accurately to save more space as well as high coefficient.

更为牢固、抗震的安装固定——挡板前后的紧固地角支撑，大大增加了设备带荷运行中的稳定性和耐震性，使得设备运行能够更加稳定、可靠。

More fasten and seismic fixed installation—Plate heat exchanger can be fixed on the ground firmly with its frame foot fastened by bolt, which greatly enhances its stability.

更加丰富的产品附件——除了提供换热器本体设备之外，海水侧还配置了钛衬套，黄铜材质表具座及内充液防震式压力表、温度表的现场直读仪表，同时还可提供海水侧内置式过滤器，使得换热设备在使用过程中更加人性化。

More abundant spare parts—plate heat exchanger, except main body, would be matched titanium lining, pressure meter, temperature meter and strainer in sea water side, which makes the plate heat exchanger more humanization.

更加先进的螺杆锁紧系统——螺杆紧固位置具有安全功能的保护凹口，并自带锁紧功能，保证在设备运输过程和震动情况的使用现场避免螺杆松动，保证换热器设备的密封性能，提高设备实际使用可靠性。

More advanced screw locking system—There is a protect notch in the restraint location of screw. Excellent screw system with self-lock function will not be loose no matter how the plate heat exchanger is shock during transportation, ensure its sealing performance and improve the reliability of plate heat exchanger.



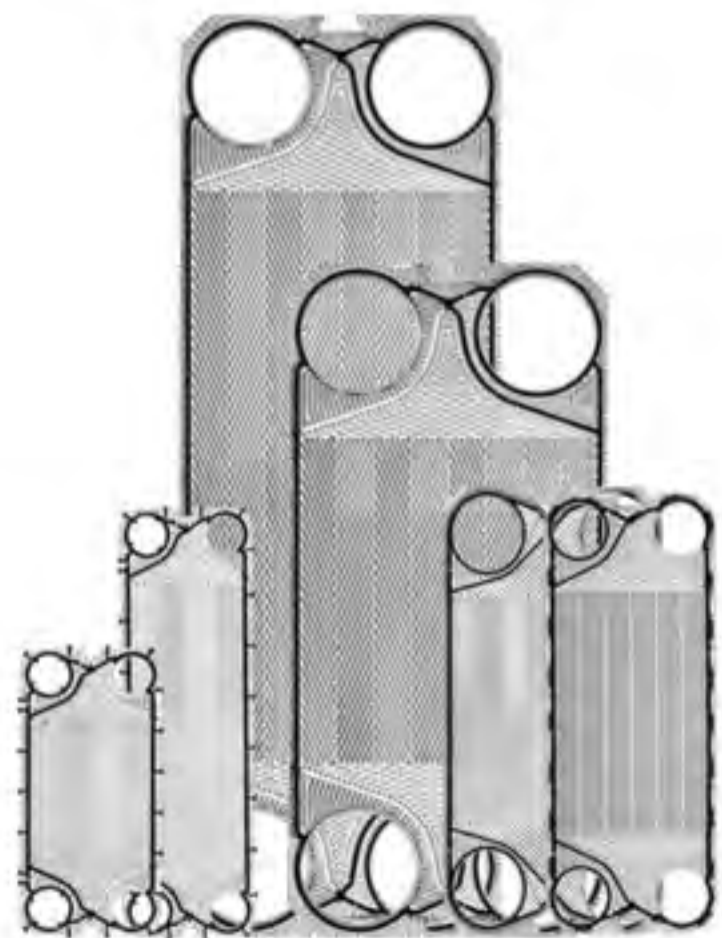
港口售后服务

Port service

Accessen 在中国大陆设立了 22 个分公司, 400 多个服务网点, 涵盖了所有沿海和沿江地区港口城市, 能够提供快速高效的售后服务。我们保证 2 小时内响应, 4 小时内到用户现场, 特殊情况下提供应急解决方案, 超过 10 年的换热器生产维护经验和 QARC (quick, accurate, report, close) 售后服务理念保障你的船只一帆风顺。

同时还提供船只、船东和其他品牌换热器的维护、保养、清洗等综合服务, 以行动服务于船舶行业。(售后服务: 4008 191 191 - 船舶事业部)

Accessen establish 22 branch office and 400 service centers in China. It covers all of the coastal areas and along river region. Just for the effective and efficient after sale service. We promise: Response in 2 hours, arrive at the scene in 4 hours. According to the special condition offer the emergency solution. We are having more than 10 years' experience at heat exchanger productive maintenance. Our service concept: QARC (quick, accurate, report, close). Make sure your boats plain sailing. We also provide the heat exchanger maintain, keep fit and clean such integrated service even though the heat exchanger is not come from accessen. Using practical actions services Shipping industry. (Service Line: 4008 191 191 --- Shipping department)



丰富的板型配对

Affluent Plate type matching

艾克森在设备的技研开发上每年均投入较大的人力物力, 年均都有 2-3 款新的板型推出, 其目的就是为了满足各种不同工况对设备的要求, 贯彻更精确、经济、环保的换热理念。

Accessen put in lot manpower and material resources in the technical research and development areas and marketed 2 or 3 type's new plate every year. Our ultimate target is satisfied with different kinds of working condition. Implement the more accurate, inexpensive and environmental exchanger heat idea.

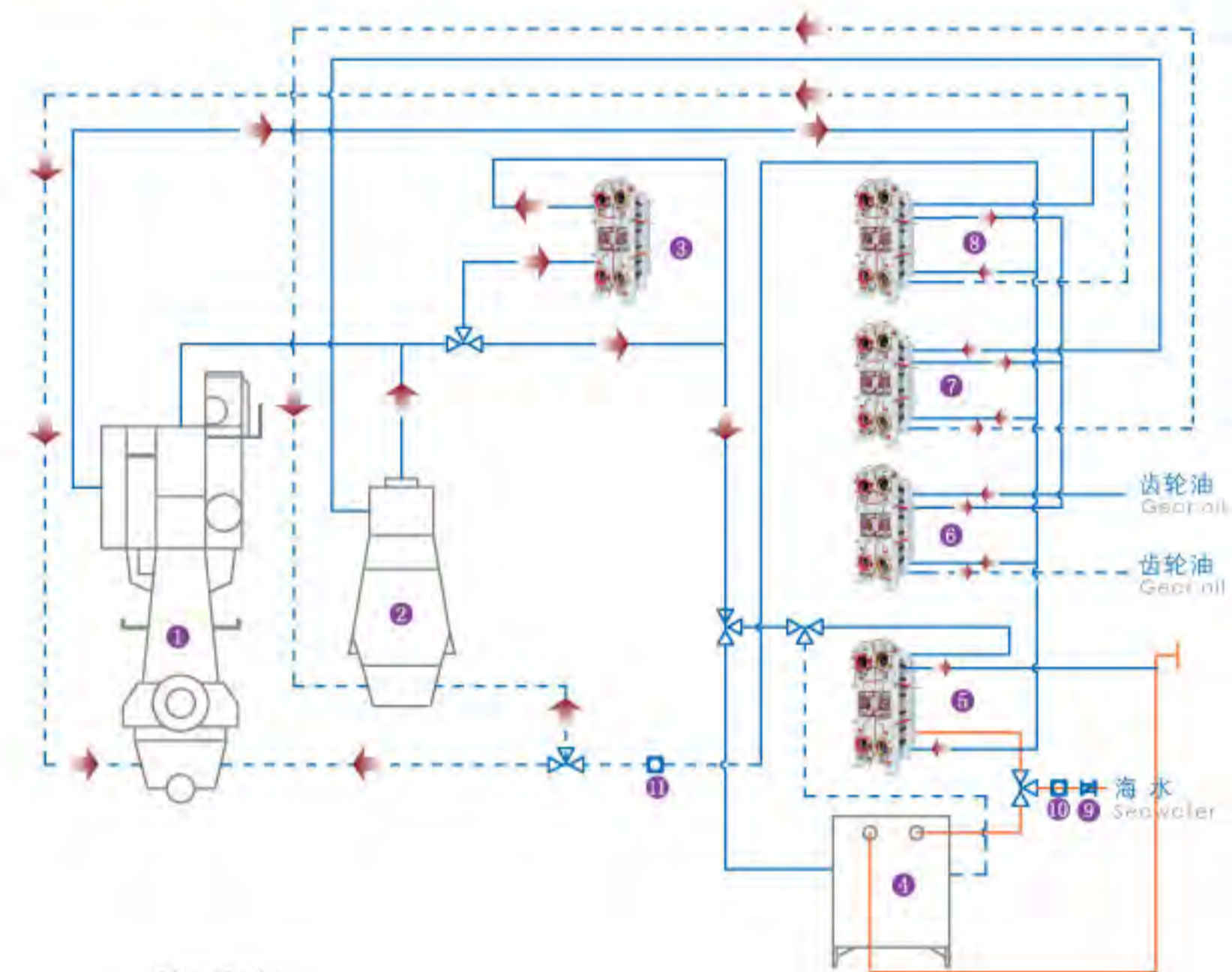
AP / AU / AN / AS 四大系列板型

产品应用范围

发动机冷却器	Engine Cooler
主机冷却器	Host Cooler
齿轮油冷却器	Gear Oil Cooler
润滑油冷却器	Lubricating Oil Cooler
循环水冷却器	Circulating Water Cooler
齿轮油	Preheater for Gear Oil

燃料油预热器	Preheater for Fuel Oil
海水预热器	Seawater Preheater
余热回收	Recovery of Waste Heat
海水淡化主机	Seawater Desalination Mainframe
空调加热器	Air Conditioner Heater

船舶典型应用如下图:



- | | | | |
|-----------|---------------------------|------------------|---|
| 1. 主引擎 | Main Engine | 7. 润滑油冷却器 (辅助引擎) | Lubricating Oil Cooler (Auxiliary Engine) |
| 2. 备用引擎 | Auxiliary Engine | 8. 润滑油冷却器 (主引擎) | Lubricating Oil Cooler (Main Engine) |
| 3. 预热器 | Preheater | 9. 海水过滤器 | Seawater Filter |
| 4. 海水淡化主机 | Freshwater Generator | 10. 海水泵 | Seawater Pump |
| 5. 中央冷却器 | Central Freshwater Cooler | 11. 淡水泵 | FreshWater Pump |
| 6. 齿轮油冷却器 | Gear Oil Cooler | | |



案例 Case Story



船型：20000吨自航半潜船（无限航区）/20000DWT Semi-Submersible Vessel
船级社：CCS
船厂：天津中交博迈科海洋船舶重工有限公司
船东：中交天津航道局 中交一航局



船型：64米平台供给船 /64M PSV
船级社：ABS
船厂：芜湖新联造船有限公司
船东：新加坡 Pristine Offshore Pte Ltd

船型：3800吨成品油船（无限航区）/3800DWT PBT
船级社：ABS
船厂：福建省马尾造船股份有限公司
船东：新加坡船东



船型：反铲式挖泥船
船级社：CCS
船厂：天津中交博迈科船舶重工有限公司
船东：天津中交航道局



船型：5500立方液化石油气运输船（无限航区）/5500CBM LPG Carrier
船级社：ABS
船厂：广州航通船业有限公司
船东：新加坡船东



船型：1600T浮吊 ZP13-M123振浮6#
船级社：CCS
船厂：上海振华重工（集团）股份有限公司
船东：上海振华重工（集团）股份有限公司

船型：5000-6000HP TUG BOAT
船级社：CCS
船厂：镇江船厂
上海港复兴船务
浙江凯灵厂



船型：FPSO
船级社：CCS
船厂：大连船舶重工集团
船东：CNOOC



更多案例请联系我们。



集装箱/Container Vessel

豪华游轮/Luxury Cruise



军舰/Naval Vessel



液化气船/LPG ship



散货船/Bulk carrier



化学品船/Chemical Carrier



LNG Ship



石油平台/Oil platform



拖轮/Tugboat



油轮/Oil tanker



石油平台/Oil platform



拖轮/TUG